



RM50™ PROOF TEST AND REWIND SYSTEM

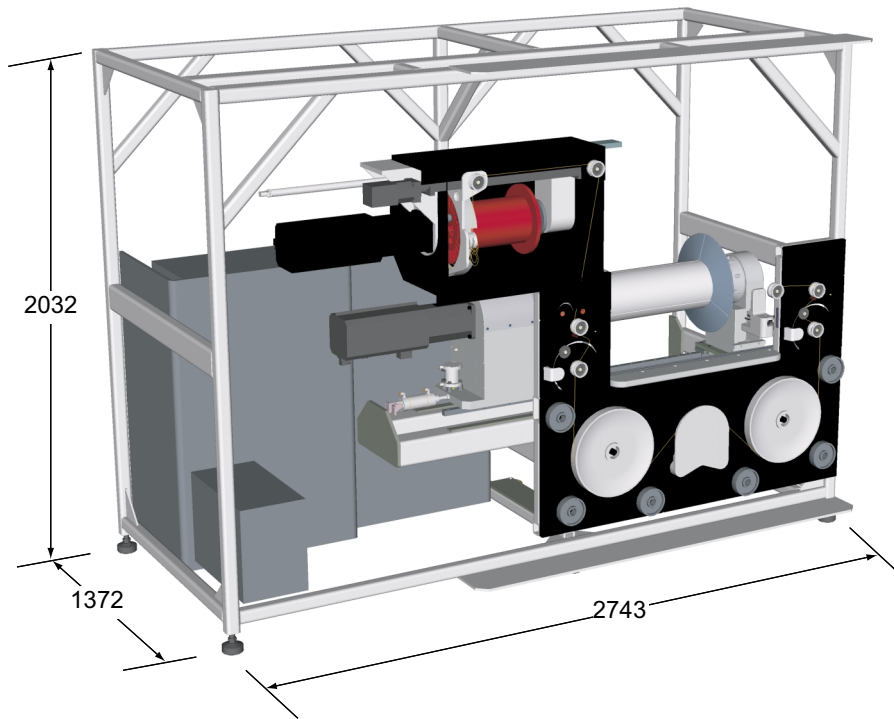
Berkeley's RM50 Proof Test and Rewind System is the fastest and best winder on the world market today. This winder is capable of production winding and testing more than 50% faster than competing machines. Producing perfectly wound packages at these speeds translates to real benefits in cost-of-ownership. Optimized for minimum floor space footprint and maximum operator ergonomics, Berkeley fiber machines lead the world in speed and productivity.

- ◆ Rewind and proof test at speeds up to 3000m/minute
- ◆ Spool rework rates less than 2%

FEATURES

- ◆ Sophisticated all-servo motor solution allows precise tracking of all rotating machine parts at extremely high speeds
- ◆ Up to 1000km-capacity spools with automated loading from spool cart
- ◆ Independent control of payout and take-up tension
- ◆ Servo-controlled proof testing, unsurpassed accuracy
- ◆ Touch screen diagnostics for easy plant maintenance
- ◆ Real-time load-cell measurement of payout, take-up, and proof test tensions
- ◆ Easy string-up
- ◆ Safety shielding
- ◆ Ethernet connectivity to product tracking network with built-in product tracking and automatic spool bar code reading
- ◆ Straight and tapered flange spool capability on both payout and take-up

SPECIFICATIONS



Maximum Speed

up to 3000 m/min

Maximum Proofstress Load

1400MPa

Payout and Take-up Tension Accuracy

+/- 3 grams RMS error

Winding Tensions

10-100 grams

zero tension options available

Maximum Spool Sizes

Payout: 1000km

Take-up: 100km

Footprint

3.76m²

Physical

2743mm x 1372mm x 2032mm

(108" x 54" x 80")



Corporate/USA Headquarters

1003 Canal Boulevard
Richmond, California 94804
tel 510.236.3333
fax 510.236.1186
www.berkeleyprocess.com
e-mail marketing@berkeleyprocess.com

European Headquarters

tel +44 (0)1904 435 138
e-mail info.eu@berkeleyprocess.com

The products described herein, including without limitation, product features, specifications, designs and availability are subject to change without notice. StateSmart™ is a trademark of Berkeley Process Control, Inc. ©2001, Berkeley Process Control, Inc. All rights reserved.